

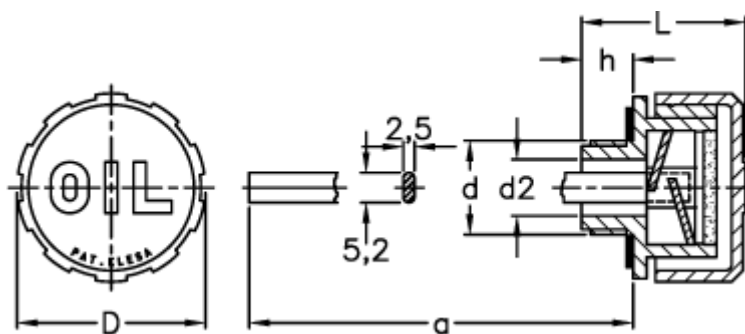
Data Sheet



Article number: 2311054331

Description: E+G Breather plug
SFP.40-1+F+a FIL

Measures



a = 184

D = 42

d = G 1

d2 = 23

h = 11.5

L = 36.5